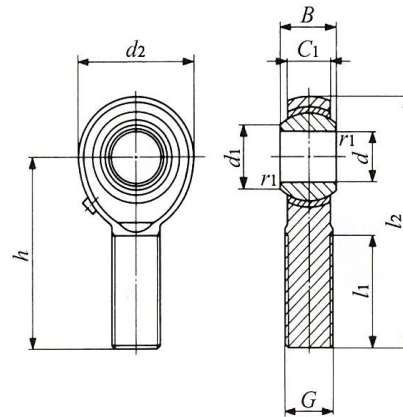




Pilloball rod end with male thread



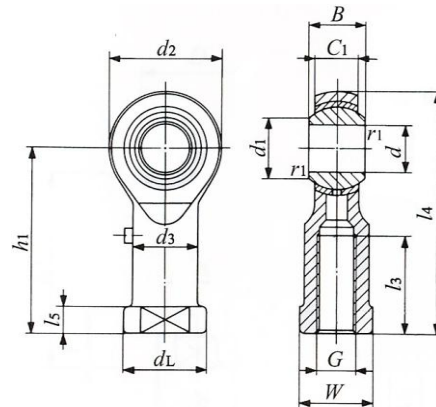
Dimension table . Dimension in mm

Identification number	Mass (Ref.) g	Boundary dimensions mm										Basic load rating		
		d	Thread G	d <sub>2</sub>	C <sub>1</sub>	B	d <sub>1</sub>	l <sub>2</sub>	h	l <sub>1</sub>	r <sub>1smin</sub>	Ball dia. mm	dyn. C <sub>d</sub> N	stat. C <sub>s</sub> N
M-POS 3	5	3	M3X0.5	12	4.5	6	5.2	27	27	15	0.2	7.938	1 662	1 159
M-POS 4	8.1	4	M4X0.7	14	5.3	7	6.5	31	30	17	0.2	9.525	2 356	1 957
M-POS 5	12.5	5	M5X0.8	16	6	8	7.7	35	33	20	0.2	11.112	3 106	3173
M-POS 6	19	6	M6X1	18	6.75	9	9	45	36	22	0.2	12.700	3 990	4 493
M-POS 8	32	8	M8X1.25	22	9	12	10.4	53	42	25	0.2	15.875	6 659	8 208
M-POS 10	54	10	M10X1.5	26	10.5	14	12.9	61	48	29	0.2	19.050	9 319	12 635
M-POS 12	85	12	M12X1.75	30	12	16	15.4	65	54	33	0.2	22.225	12 445	16 055
M-POS 14	126	14	M14X2	34	13.5	19	16.9	74	60	36	0.2	25.400	15 960	19 855
M-POS 16	185	16	M16X2	38	15	21	19.4	83	66	40	0.2	28.575	19 950	24 130
M-POS 18	260	18	M18X1.5	42	16.5	23	21.9	92	72	44	0.2	31.750	24 415	28 690
M-POS 20	340	20	M20X1.5	46	18	25	24.4	100	78	47	0.2	34.925	29 260	33 725
M-POS 22	435	22	M22X1.5	50	20	28	25.8	109	84	51	0.2	38.100	35 530	39 615
M-POS 25	650	25	M24X2	60	22	31	29.6	124	94	57	0.6	42.862	43 890	69 065
M-POS 28	875	28	M27X2	66	25	35	32.3	136	103	62	0.6	47.625	55 480	82 650
M-POS 30	1 070	30	M30X2	70	25	37	34.8	145	110	66	0.6	50.800	59 185	87 590

- Bearing with a stretching rod, stretching rod with right or left - hand male thread.  
(For left - hand thread, suffix L)
- The surface of spherical of rod body. The housing with a lubrication hole or a grease nipple.
- To plate zinc on the surface of rod body. The housing with a lubrication hole or a grease nipple.
- The front " SS " stands for body and ball is made of stainless steel.



Pilloball rod end with female thread



Dimension table . Dimension in mm

Identification number	Mass (Ref.) g	Boundary dimensions mm															Basic load rating	
		d	Thread G	d <sub>2</sub>	C <sub>1</sub>	B	d <sub>1</sub>	l <sub>4</sub>	h <sub>1</sub>	l <sub>3</sub>	l <sub>5</sub>	W	d <sub>3</sub>	d <sub>L</sub>	r <sub>1smin</sub>	Ball dia. mm	dyn. Cd N	stat. Cs N
M-PHS 3	5.7	3	M3X0.5	12	4.5	6	5.2	27	21	10	3	5.5	5	6.5	0.2	7.938	1 662	3 486
M-PHS 4	11.9	4	M4X0.7	14	5.3	7	6.5	31	24	12	4	8	8	9.5	0.2	9.525	2 356	4 446
M-PHS 5	16.5	5	M5X0.8	16	6	8	7.7	35	27	14	4	9	9	11	0.2	11.112	3 106	5 443
M-PHS 6	25	6	M6X1	18	6.8	9	9	39	30	14	5	11	10	13	0.2	12.700	3 990	6 564
M-PHS 8	43	8	M8X1.25	22	9	12	10.4	47	36	17	5	14	12.5	16	0.2	15.875	6 659	9 690
M-PHS 10	72	10	M10X1.5	26	11	14	12.9	56	43	21	6.5	17	15	19	0.2	19.050	9 319	12 635
M-PHS 12	107	12	M12X1.75	30	12	16	15.4	65	50	24	6.5	19	17.5	22	0.2	22.225	12 445	16 055
M-PHS 14	160	14	M14X2	34	14	19	16.9	74	57	27	8	22	20	25	0.2	25.400	15 960	19 855
M-PHS 16	210	16	M16X2	38	15	21	19.4	83	64	33	8	22	22	27	0.2	28.575	19 950	24 130
M-PHS 18	295	18	M18X1.5	42	17	23	21.9	92	71	36	10	27	25	31	0.2	31.750	24 415	28 690
M-PHS 20	380	20	M20X1.5	46	18	25	24.4	100	77	40	10	30	27.5	34	0.2	34.925	29 260	33 725
M-PHS 22	490	22	M22X1.5	50	20	28	25.8	109	84	43	12	32	30	37	0.2	38.100	35 530	39 615
M-PHS 25	750	25	M24X2	60	22	31	29.6	124	94	48	12	36	33.5	42	0.6	42.862	43 890	69 065
M-PHS 28	950	28	M27X2	66	25	35	32.3	136	103	53	12	41	37	46	0.6	47.625	55 480	82 650
M-PHS 30	1 130	30	M30X2	70	25	37	34.8	145	110	56	15	41	40	50	0.6	50.800	59 185	87 590

- Bearing with a stretching rod, stretching rod with right or left - hand female thread.  
(For left - hand thread, suffix L)
- The surface of spherical of rod body. The housing with a lubrication hole or a grease nipple.
- To plate zinc on the surface of rod body. The housing with a lubrication hole or a grease nipple.
- The front " SS " stands for body and ball is made of stainless steel.